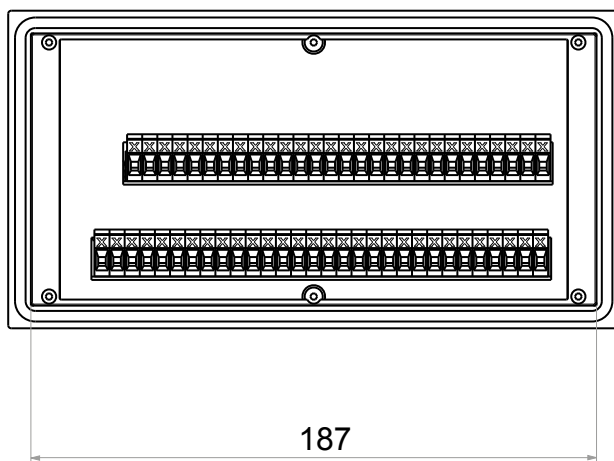
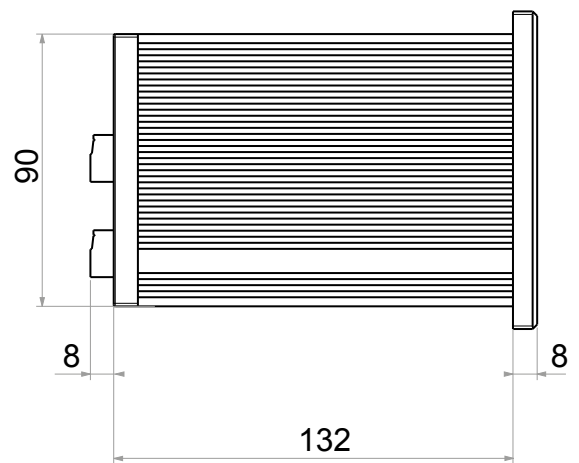
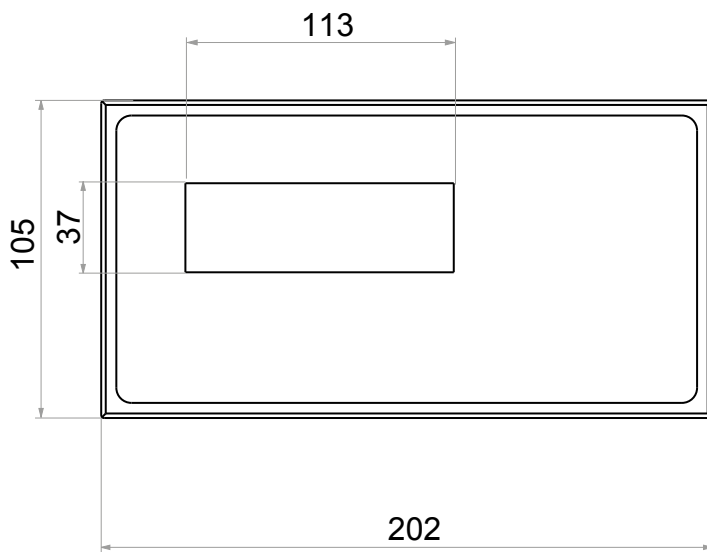


CPWE



dimensions in mm